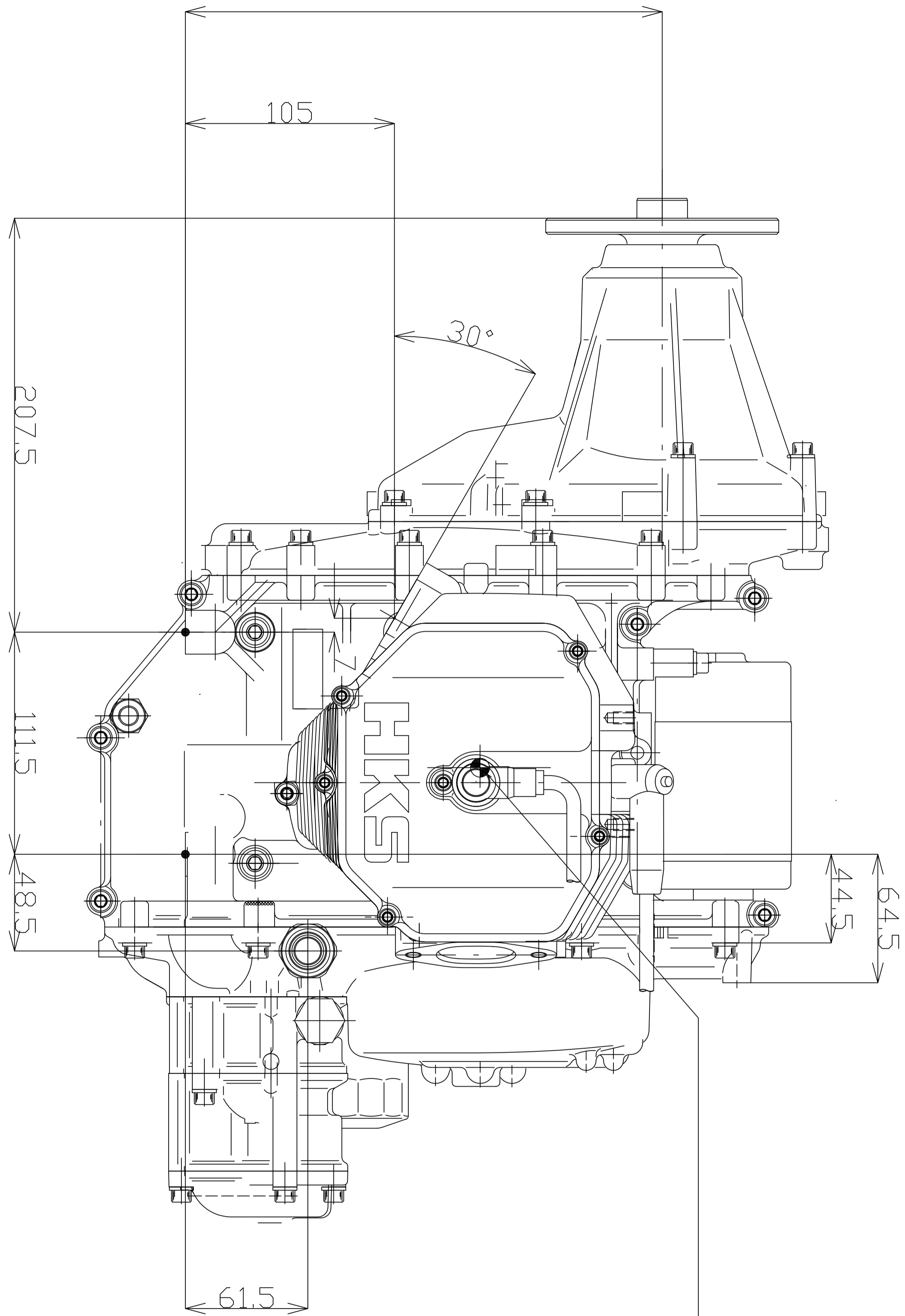


239.5(A-Gear Ratio 2.58)
245.0(B-Gear Ratio 3.47)



G11000-K11050-00
Center of Gravity